

KOMATSU®

PC1800-6 BACKHOE PC1800-6 LOADING SHOVEL

FLYWHEEL HORSEPOWER
676 kW **908 HP** @ 1800 rpm

OPERATING WEIGHT
180000–184120 kg
396,830–405,910 lb



PC
1800



Photo shown includes optional power assist
ladder and other optional equipment.



HYDRAULIC EXCAVATOR

PC1800-6 Series Hydraulic Excavator

WALK-AROUND

GALEO

Building on the technology and expertise Komatsu has accumulated since its establishment in 1921, GALEO presents customers worldwide with a strong, distinctive image of technological innovation and exceptional value. The GALEO brand will be employed for Komatsu's full lineup of advanced construction and mining equipment. Designed with high productivity, safety and environmental considerations in mind, the machines in this line reflect Komatsu's commitment to contributing to the creation of a better world.

Genuine Answers for Land and Environment Optimization

Productivity Features

- **Largest digging force**
Bucket digging force and arm crowd force are largest in its class.
- **Largest bucket capacity** in its class, best matched with 91 tonne **100 U.S. ton** class dump trucks.
- **Faster hydraulics**
The high-output engines on the PC1800-6 provide plenty of hydraulic horsepower for faster cycle times and increased productivity.
- **Fuel consumption**
is reduced 5% and fuel tank capacity is also increased.

See page 4.

- **Two-mode setting for boom**
Switch selection allows either power or smooth boom operation.

- **Shockless boom**
Switch selection reduces chassis vibration after sudden stops.

See page 5.

Excellent Reliability and Durability

- **Strengthened boom** and arm have larger cross-sections and improved welding for maximum strength and reliability.
- **Large-capacity triple-roller swing bearing**
Triple roller bearing is used on swing circle for extended life, reduced operating costs.

See page 7.

- **Boom foot hoses** are arranged on the inside, improving hose life and safety.

See page 6.



Harmony with Environment

- Low emission engine

Two powerful turbocharged and air to air aftercooled Komatsu SAA6D140E-3 engines provide 676 kW **908 HP**. These engines meet EPA, EU, and Japan Tier II emissions regulations without sacrificing power or machine productivity.

See page 5.

Large Comfortable Cab

- Komatsu's low-noise cab design uses viscous cab mounts for reduced noise and vibration
- Large capacity cab provides wide front and high visibility
- Twin large-capacity air conditioners are standard equipment
- Pressurized cab prevents external dust from entering

See page 8.

Easy maintenance

- Replacement intervals are extended for engine oil, engine oil filter, and hydraulic filter



PC1800-6

HYDRAULIC EXCAVATOR

FLYWHEEL HORSEPOWER
676 kW **908 HP** @ 1800 rpm

OPERATING WEIGHT
180000–184120 kg
396,830–405,910 lb

BACKHOE
5.6–12.0 m³ **7.3–15.7 yd³**

LOADING SHOVEL
11.0 m³ **14.4 yd³**



Large platform and catwalk provide easy access to the engine and hydraulic equipment



Advanced monitor features

- Machine availability increased by Vehicle Health Monitoring System (VHMS)
See page 6.
- Self-diagnosis of 119 different functions
- Three working modes combine with heavy lift mode for maximum productivity
See page 5.

- **Protected hydraulic circuit**

The cool-running hydraulic system is protected with the most extensive filtration system available, including a high pressure in-line filter for each main pump.

- **Sturdy protectors** shield the travel motors against damage from rocks.

- **Highly Reliable Electronic Devices**

Exclusively designed electronic devices have passed severe testing.

- Controller
- Sensors
- Connectors
- Heat resistant wiring

See page 7.

PRODUCTIVITY FEATURES

High Production and Low Fuel Consumption

Engine

The PC1800-6 gets its exceptional power and work capacity from twin Komatsu SAA6D140E-3 engines. Output is 676 kW **908 HP** providing more hydraulic power.

In addition, the fuel consumption is reduced by 5% compared to the previous model by the high-pressure fuel injection system controlled electronically.

The engine meets EPA Tier II emission regulations, including EU, and noise levels are reduced for greater operator comfort.

Largest Bucket Capacity

Bucket capacity is the largest in its class and best matched with 91 tonne **100 U.S. ton** class dump trucks, loading in five passes.

Improved Machine Stability

The center of gravity moves to the rear and a **21.3 tonne 23.5 U.S. ton** counterweight provides the stability and lifting capacity needed for maximum productivity.

Additional Features

- Large digging force
- Large drawbar pull
- Fast hydraulics
- Large fuel tank capacity (2750 ltr **726.6 U.S. gal**)



Three Working Modes

Hydraulics

Unique four-tandem pumps for work equipment and travel plus two-tandem pumps for swing system ensure smooth compound movement of the work equipment. OLSS (Open Center Load Sensing System) controls all six pumps for efficient engine power use. This system also reduces hydraulic loss during operation.

Working Mode Selection

The PC1800-6 excavator is equipped with three working modes. Each mode is designed to match engine speed, pump speed, and system pressure with the current application, giving the operator flexibility to match equipment performance to the job at hand.

Working Mode	Application	Advantage
DH	Maximum production	<ul style="list-style-type: none"> Maximum production/power Fast cycle times Heavy lift mode is available
H	Normal digging and loading	<ul style="list-style-type: none"> Good cycle times Good fuel economy Heavy lift mode is available
G	Light-duty	<ul style="list-style-type: none"> Maximum fuel efficiency Heavy lift mode is available

Three Working Modes

Heavy Lift Mode



Heavy Lift Mode

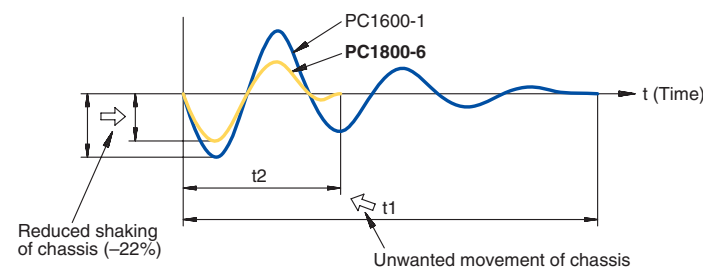
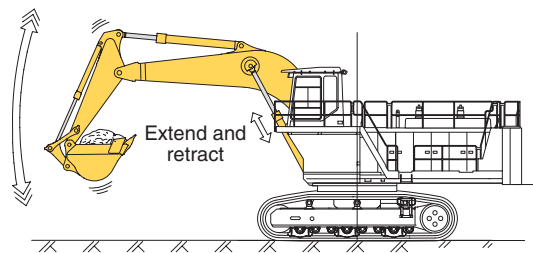
Gives the operator approximately 7% more lifting force on the boom when needed for handling rock or lifting large boulders.

Two Settings for the Boom

Smooth mode provides easy operation for gathering blasted rock to scraping down operations. When maximum digging force is needed, switch to **power mode** for more effective excavating.

Shockless Boom Control

The PC1800-6 features a shockless valve (double-check slow return valve) that automatically reduces the amount of vibration present when operating the boom. Operator fatigue is reduced (which can improve safety and productivity), and spillage caused by vibration is prevented.



The LCD portion of the monitor has four different display modes that aid in identifying potential problems before they become major problems:

Four Diagnostic Modes

- 1 Time Display mode** is the default mode and shows the time and hour meter reading.
- 2 User Code Display mode** displays a trouble code and sounds an alarm when a problem has been detected.
- 3 Trouble Data Memory mode** monitors 57 separate items and stores up to 20 abnormalities over 999 hours for effective troubleshooting.
- 4 Operation Data mode** monitors 20 separate current operating conditions including system pressure and rpms to keep the PC1800-6 operating at peak performance. *In addition*, 44-bit patterns allow you to diagnose electrical connections.

Together these modes allow troubleshooting of 119 different functions to minimize downtime.

MAINTENANCE FEATURES

Easy Maintenance

Komatsu designed the PC1800-6 for easy service access.

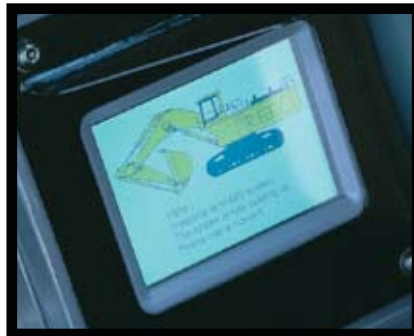
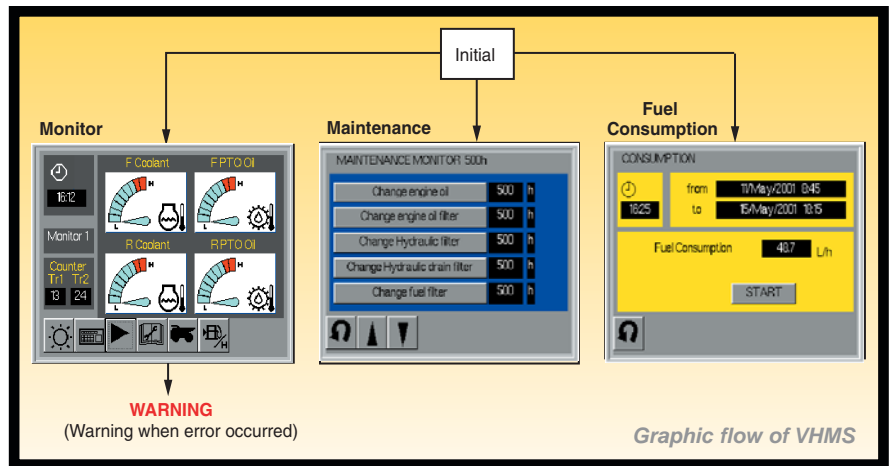
Machine Availability Is Increased by Vehicle Health Monitoring System (VHMS)

The VHMS displays the various conditions of the machine and the maintenance status, sends messages to the operator or service personnel; then stores data in the VHMS automatically when abnormalities occur. It also allows input and download of the necessary data.

Fuel consumption, number of loading times, and information on combustion in the engine are added to the items displayed by the VHMS. As a result, the machine availability is increased and the operating cost is decreased further.

Display is changed by touching the screen panel.

Wide walkways for maintenance are provided around engines and hydraulic components, allowing easy access to inspection and maintenance points. Access doors open outward, making inspection of the engine and hydraulic systems easy.



Reducing maintenance costs

Replacement intervals of engine oil, engine oil filter, and hydraulic oil filter are extended to 500 hours, and replacement interval of hydraulic oil is extended to 5000 hours.

The **boom foot hoses** are arranged inside to reduce hose bend during operation, extending hose life and improving operator safety.

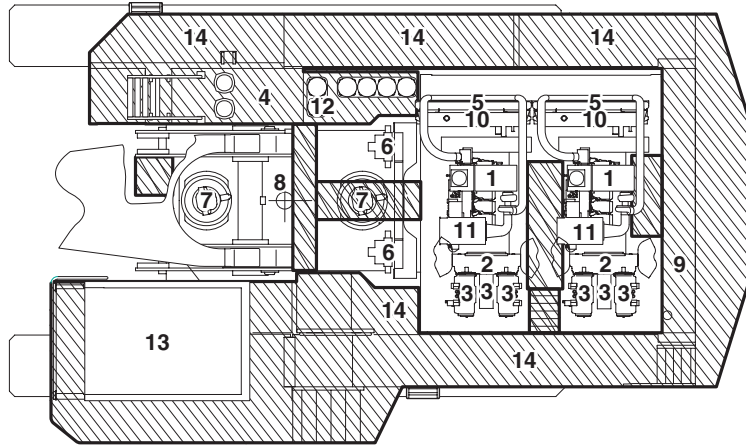
Quick couplers for hydraulic pressure inspection provides easy troubleshooting of the hydraulic system.



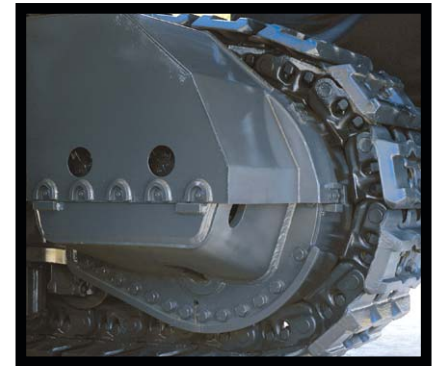
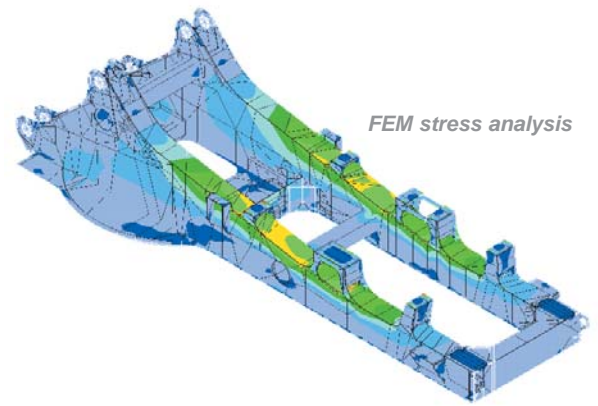
Large service doors provide easy access to the engine compartments (photo shown with forward door open to front engine).

Automatic lubrication is controlled by a switch in the operator compartment and uses an air-operated grease pump. A grease gun with hose reel is provided for bucket linkage lubrication. A fully automatic lube system is available as an option.





- | | |
|--------------------|-----------------------|
| 1. Engines | 8. Swivel joint |
| 2. PTOs | 9. Fuel tank |
| 3. Hydraulic pumps | 10. Radiators |
| 4. Hydraulic tank | 11. Air cleaners |
| 5. Oil coolers | 12. Hydraulic filters |
| 6. Control valves | 13. Operator cab |
| 7. Swing motors | 14. Walkways |



Sturdy protectors shield the travel motors against damage from rocks.

Increased Reliability

The PC1800-6 incorporates many improvements in strength and reliability.

Frame structure. Plate thickness of the revolving frame and center frame is increased and stiffener plates are added to improve durability.

The **boom and arm** have increased section height and plate thickness, as well as continuous both-side groove welding, improving digging and side contact strength.

All of the major **machine components** such as engine, hydraulic pumps, hydraulic motors, control valves, etc., are exclusively designed and manufactured by Komatsu.

Large capacity triple roller bearings are used on swing circle, providing lifetime durability even in heavy-duty digging and loading.

In-line filtration



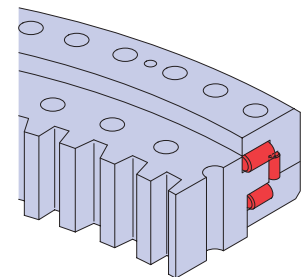
High-pressure in-line filtration. The PC1800-6 has the most extensive filtration system available, providing in-line filters as standard equipment. An in-line filter in the outlet port of each main hydraulic pump reduces failures caused by contamination.

The **undercarriage** is strengthened to provide excellent reliability and durability when working on rocky ground or blasted rock.

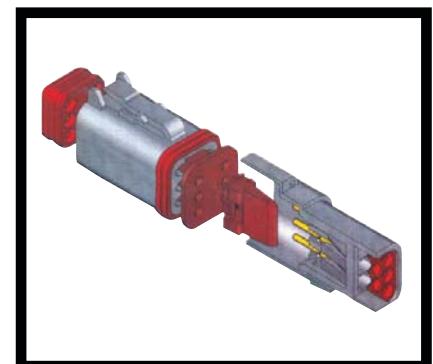
Metal guard rings protect all the hydraulic cylinders and improve reliability.

Heat-resistant wiring is employed around engine for improved reliability.

With the **circuit breaker**, the machine can be easily restarted after repair.



Triple-roller swing bearing



Employment of **DT-type connectors** which seal tight and have higher reliability.

WORKING ENVIRONMENT

The cab interior is spacious and provides a comfortable working environment...



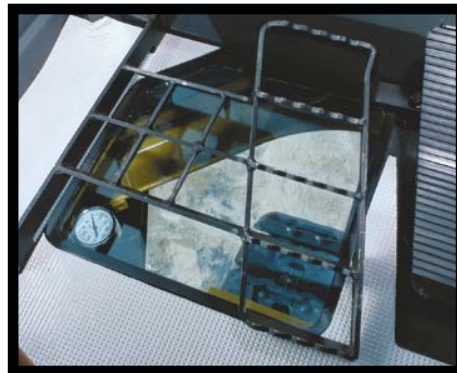
Operator's Cab

Superb Visibility

The PC1800-6's cab has a large capacity and glass area provides superb front visibility.

Floor Glass Window

Floor glass window provides excellent lower cab visibility and view to track frame - facilitates truck spotting and repositioning.



Cab Mounts

The cab rests on ten multi-layer viscous damping mounts to reduce vibration and noise. Operator fatigue is reduced.

Noise

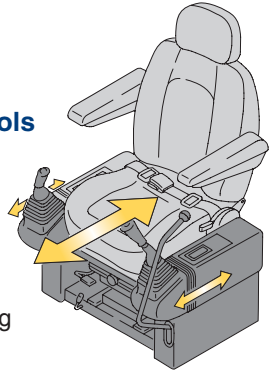
The noise levels at the operator's ear is decreased by improving the cab mounts and cab sealing performance.

Multi-Position Monitor

The multi-position diagnostic monitor is easily reached and can be rotated to remove glare. Plus, the inclined dashboard makes the switches and fuel control dials easier to view and use.

Multi-Position Controls

The multi-position, pressure proportional control levers allow the operator to work in comfort while maintaining precise control.



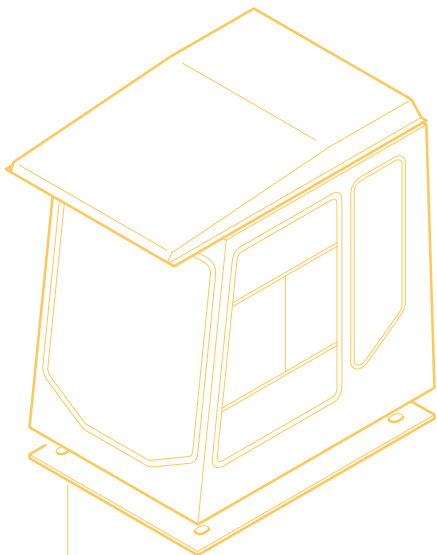
A double-side mechanism allows the seat and controllers to move together or independently, allowing the operator to position the controllers for maximum productivity and comfort.

Large-Capacity Air Conditioner

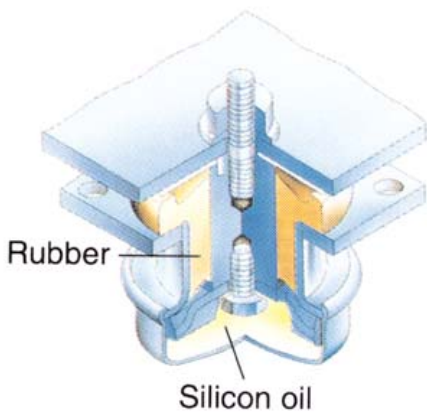
Twin large-capacity air conditioners are used to match the larger cab. It is equipped with increased cooling and heating capacity [cooling 2 x 6880 kcal/h (2 x 27,300 btu/h) and heating 2 x 6500 kcal/h (2 x 25,800 btu/h)]. Two completely independent units are used.

Pressurized Cab

Cab pressurization is increased to prevent external dust from entering the cab.



Cab is supported with 10 viscous damping mounts.

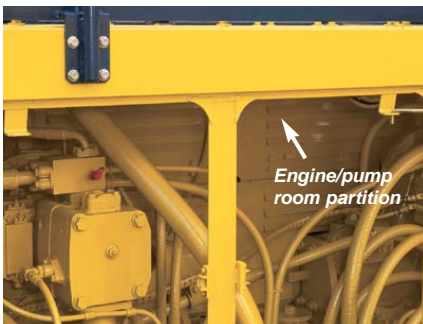


Cab mount

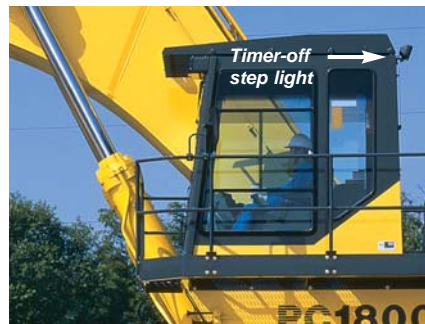


Seat belt 78 mm 3" width shown in photo is optional.

Safety Features



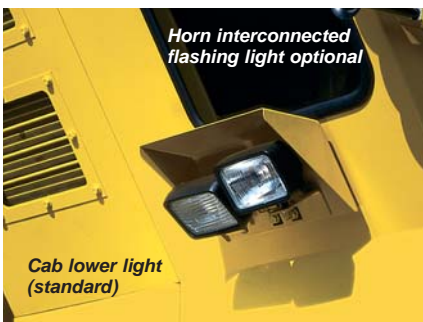
Engine/pump room partition prevents oil from spraying on the engine if a hydraulic hose should burst.



Timer-off step light automatically provides light for one minute to allow the operator to get off the machine safely.



Thermal guards are placed around high-temperature parts of the engine and accessory drive.



Interconnected horn and flashing light (optional) give visual and audible notice of the excavator's operation when activated.



Auxiliary seat is provided as standard equipment; it is useful for on board training.

Emergency engine stop switch is standard, engine can be stopped from outside operator cab.

Large handrails and wide walkways are provided around revolving frame for easier and safer access to engine and hydraulic components.

SPECIFICATIONS



ENGINE

Model Two Komatsu SAA6D140E-3
 Type 4-cycle, water-cooled, direct injection
 Aspiration Turbocharged and air-to-air aftercooled
 Number of cylinders 6
 Bore 140 mm **5.51"**
 Stroke 165 mm **6.50"**
 Piston displacement 15.24 ltr **930 in³**
 Flywheel horsepower 2 x 338 kW **2 x 454 HP** @ 1800 rpm
 (SAE J1349)
 Governor All-speed, electronic
 Meets 2001 EPA emission regulations, EPA Tier 2 emission ready.



HYDRAULIC SYSTEM

Type Open-center load-sensing system
 Number of selectable working modes 3
 Main pump:
 Type Variable-capacity piston pump
 Pumps for Boom, arm, bucket, swing, and travel circuits
 Maximum flow:
 Main 4 x 419 ltr/min **4 x 111 U.S. gpm**
 Swing 2 x 314 ltr/min **2 x 83 U.S. gpm**
 Sub-pump for control circuit Gear pump
 Hydraulic motors:
 Travel 2 x axial piston motor (per side) with parking brake
 Swing 2 x axial piston motor with swing holding brake
 Relief valve setting:
 Implement circuits 29.4 MPa 300 kg/cm² **4,270 psi**
 Travel circuit 31.4 MPa 320 kg/cm² **4,550 psi**
 Swing circuit 29.4 MPa 300 kg/cm² **4,270 psi**
 Pilot circuit 2.9 MPa 30 kg/cm² **430 psi**
 Hydraulic cylinders:
 Number of cylinders—bore x stroke
PC1800-6 Backhoe:
 Boom 2 – 280 mm x 2660 mm **11.0" x 104.7"**
 Arm 2 – 250 mm x 2142 mm **9.8" x 84.3"**
 Bucket 2 – 200 mm x 2170 mm **7.9" x 85.4"**
PC1800-6 Loading Shovel:
 Boom 2 – 280 mm x 1930 mm **11.0" x 76.0"**
 Arm 2 – 200 mm x 2170 mm **7.9" x 85.4"**
 Bucket 2 – 225 mm x 2050 mm **8.9" x 80.7"**
 Bottom dump 2 – 180 mm x 600 mm **7.1" x 23.1"**



SWING SYSTEM

Driven by 2 x hydraulic motors
 Swing reduction Planetary gear
 Swing circle lubrication Grease-bathed
 Swing lock Oil disc brake
 Swing speed 4.5 rpm



DRIVES AND BRAKES

Steering control Two levers with pedals
 Drive method Fully hydrostatic
 Travel motors (per side) Two axial piston-type
 Reduction system Planetary double reduction
 Maximum drawbar pull 105000 kg **231,480 lb**
 Gradability 70%
 Maximum travel speed 2.7 km/h **1.7 mph**
 Service brake Hydraulic lock
 Parking brake Oil disc brake



UNDERCARRIAGE

Center frame H-leg frame
 Track frame Box-section
 Track chain Sealed
 Track adjuster Hydraulic cushion cylinder
 Number of shoes 49 each side
 Number of carrier rollers 3 each side
 Number of track rollers 8 each side



COOLANT AND LUBRICANT CAPACITY (REFILLING)

Fuel tank 2750 ltr **726.6 U.S. gal**
 Radiator 2 x 85 ltr **2 x 22.5 U.S. gal**
 Engine crankcase 2 x 55 ltr **2 x 14.5 U.S. gal**
 Final drive, each side 85 ltr **22.5 U.S. gal**
 Swing drive 2 x 30 ltr **2 x 7.9 U.S. gal**
 Hydraulic tank 1500 ltr **396.3 U.S. gal**
 P.T.O. 2 x 20 ltr **2 x 5.3 U.S. gal**



OPERATING WEIGHT (APPROXIMATE)

PC1800-6 Backhoe:

Operating weight, including 8700 mm **28'7"** boom, 3900 mm **12'10"** arm, 12.0 m³ **15.7 yd³** backhoe bucket, operator, lubricant, coolant, full fuel tank, and standard equipment.

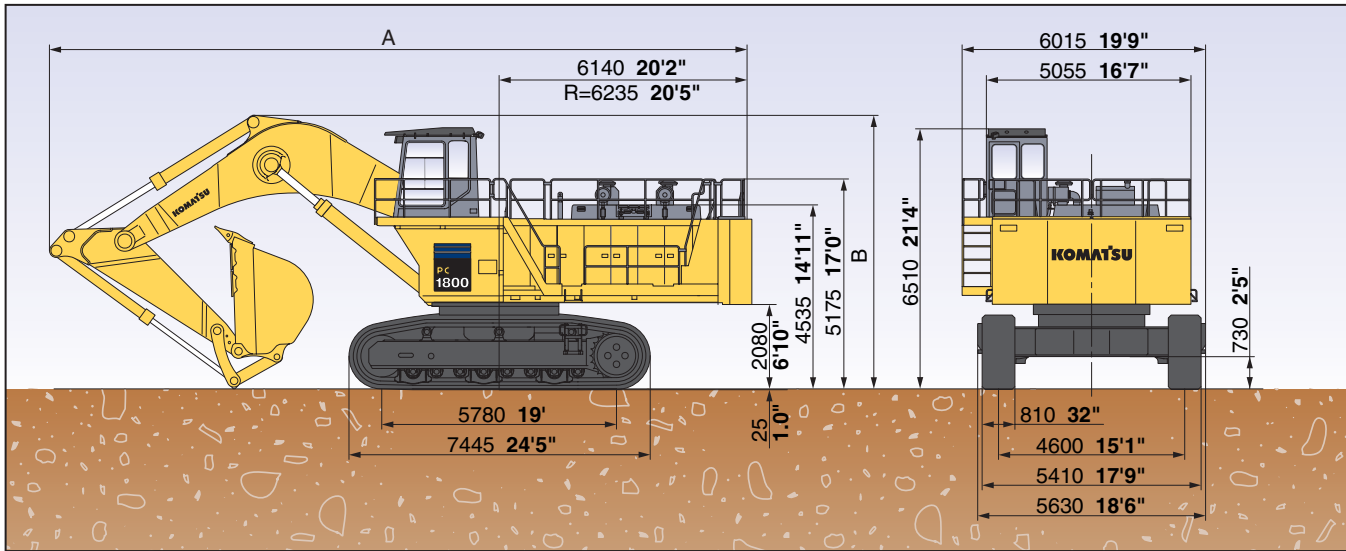
PC1800-6 Loading Shovel:

Operating weight, including 5950 mm **19'6"** boom, 4450 mm **14'7"** arm, 11.0 m³ **14.4 yd³** loading bucket, operator, lubricant, coolant, full fuel tank, and the standard equipment.

Type of Shoe	Operating Weight	Ground Pressure
Double grouser 810 mm 32"	180000 kg 396,830 lb	170 kPa 1.73 kgf/cm ² 24.6 psi
Triple grouser 1010 mm 40"	184120 kg 405,910 lb	139 kPa 1.42 kgf/cm ² 20.2 psi



BACKHOE DIMENSIONS

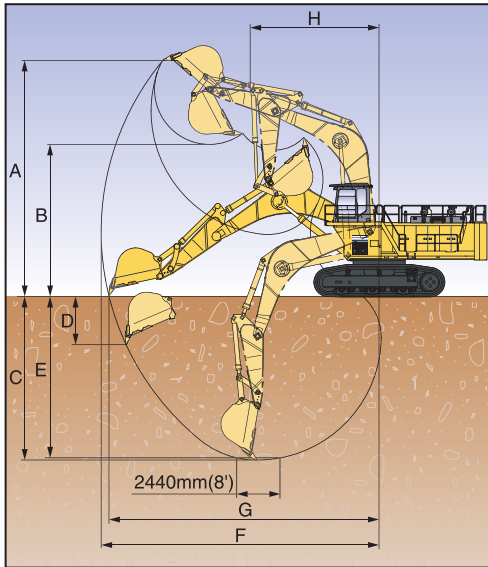


	Boom length	8700 mm 28'7"	9100 mm 29'10"	11400 mm 37'5"
	Arm length	3900 mm 12'10"	4100 mm 13'5"	5000 mm 16'5"
A	Overall length	17185 mm 56'5"	17470 mm 57'4"	19400 mm 63'8"
B	Overall height	6745 mm 22'2"	6850 mm 22'7"	7705 mm 25'3"



WORKING RANGE

Unit: mm ft in



	Boom	8700 28'7"	9100 29'10"	11400 37'5"
	Arm	3900 12'10"	4100 13'5"	5000 16'5"
A	Max. digging height	13380 43'11"	13550 44'5"	16640 56'4"
B	Max. dumping height	8620 28'3"	8730 28'8"	11490 37'8"
C	Max. digging depth	9265 30'5"	10000 32'10"	10770 35'4"
D	Max. vertical wall digging depth	2740 9'0"	5530 18'2"	9000 29'6"
E	Max. digging depth of cut for 8' level	9145 30'0"	9900 32'6"	12640 41'6"
F	Max. digging reach	15780 51'9"	16450 54'0"	19730 64'9"
G	Max. digging reach at ground level	15305 50'3"	16040 52'8"	19370 63'7"
H	Min. swing radius	7500 24'7"	7755 25'5"	9840 32'3"
	SAE Bucket digging force	626 kN 63.8 t/70.3 U.S. ton	621 kN 63.4 t/69.9 U.S. ton	621 kN 63.4 t/69.9 U.S. ton
	Arm crowd force	574 kN 58.5 t/64.5 U.S. ton	570 kN 58.1 t/64.0 U.S. ton	518 kN 52.8 t/58.2 U.S. ton
	ISO Bucket digging force	697 kN 71.1 t/78.4 U.S. ton	693 kN 70.6 t/77.8 U.S. ton	693 kN 70.6 t/77.8 U.S. ton
	Arm crowd force	586 kN 59.8 t/65.9 U.S. ton	582 kN 59.4 t/65.5 U.S. ton	538 kN 54.9 t/60.5 U.S. ton



BACKHOE BUCKET, ARM, AND BOOM COMBINATION

Bucket Capacity (heaped)		Width		Weight	Boom Length		
SAE, PCSA	CECE	Without Side Cutters, Shrouds	With Side Cutters, Shrouds	With Side Cutters, Shrouds	8.7 m 28'7"	9.1 m 29'10"	11.4 m 37'5"
					Arm Length		
					3.9 m 12'10"	4.1 m 13'5"	5.0 m 16'5"
*12.0 m ³ 15.7 yd ³	11.0 m ³ 14.4 yd ³	2720 mm 107"	2770 mm 109"	10160 kg 22,400 lb	○	—	—
11.0 m ³ 14.4 yd ³	9.8 m ³ 12.8 yd ³	2540 mm 100"	2590 mm 102"	9370 kg 20,660 lb	○	□	—
10.1 m ³ 13.2 yd ³	9.0 m ³ 11.2 yd ³	2540 mm 100"	2700 mm 106"	9600 kg 21,160 lb	○	○	□
8.5 m ³ 11.1 yd ³	7.6 m ³ 9.9 yd ³	2240 mm 88.2"	2400 mm 94.5"	9390 kg 20,700 lb	●	●*	□
5.6 m ³ 7.3 yd ³	5.0 m ³ 6.5 yd ³	1770 mm 69.7"	1930 mm 76.0"	7570 kg 16,690 lb	●	●*	○

These charts are based on over-side stability with fully loaded bucket at maximum reach.

○: General purpose use, density up to 1.8 t/m³ 3,000 lb/yd³

●: General purpose use, density up to 2.1 t/m³ 3,500 lb/yd³

●*: It is necessary to use strengthened boom and arm

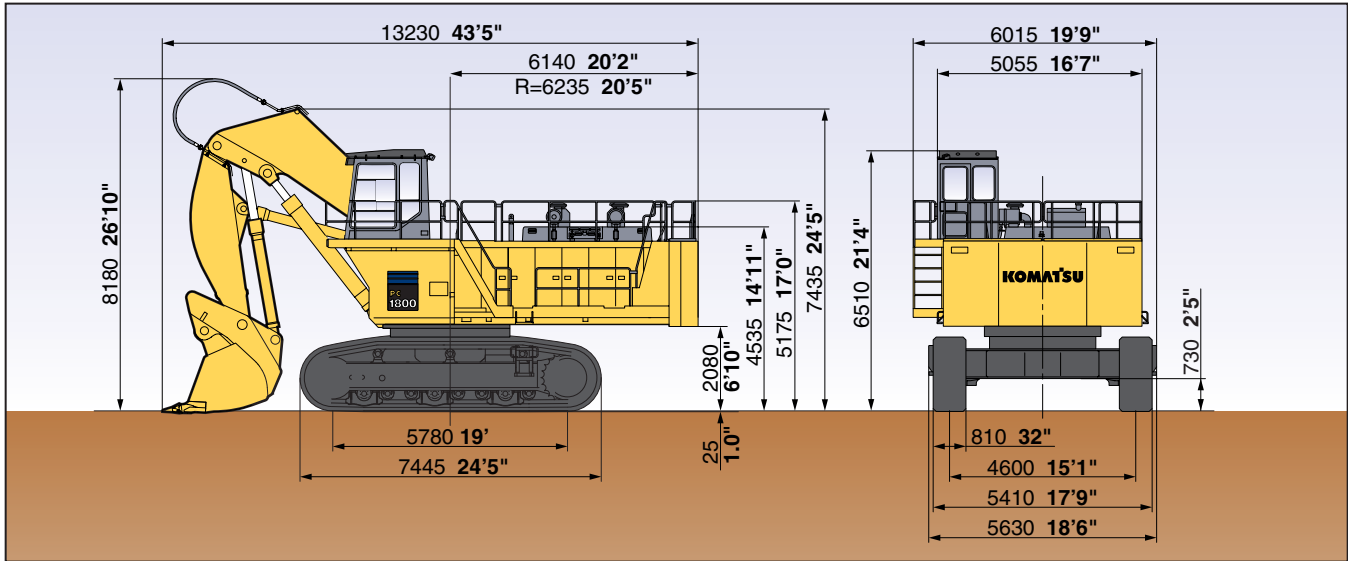
□: General purpose use, density up to 1.5 t/m³ 2,500 lb/yd³

—: Not useable

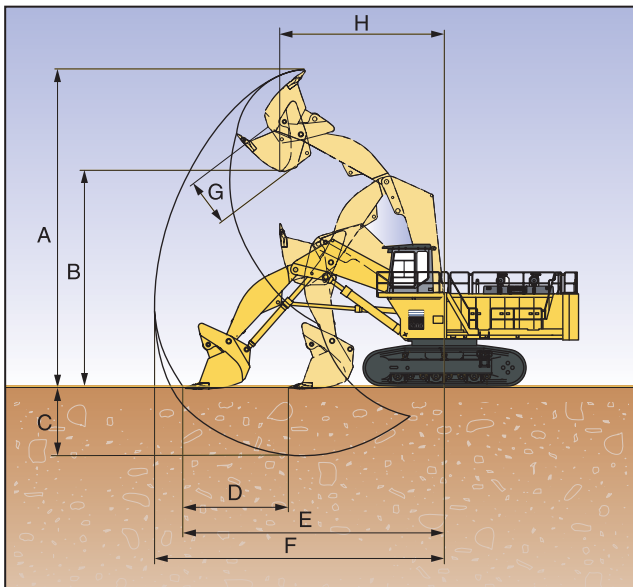
*: Round bottom shape type with Hensley's teeth



LOADING SHOVEL DIMENSIONS



WORKING RANGE



Boom	5950 mm	19'6"	
Arm	4450 mm	14'7"	
Bucket	11.0 m ³	14.4 yd ³	
A	Maximum cutting height	14420 mm	47'4"
B	Maximum dumping height	9635 mm	31'7"
C	Maximum digging depth	3220 mm	10'7"
D	Level crowding distance	4850 mm	15'11"
E	Maximum digging reach at ground level	11940 mm	39'0"
F	Maximum digging reach	13170 mm	43'3"
G	Maximum bucket throat opening	2195 mm	7'2"
H	Reach at maximum dumping height	7135 mm	23'5"
Bucket breakout force	721 kN	73.5 t/81.0 U.S. ton	
Arm crowd force	755 kN	77.0 t/85.3 U.S. ton	



BUCKET

Bucket type	Bottom dump	
Bucket capacity	11.0 m ³	14.4 yd ³
Width	3220 mm	127"
Weight	14400 kg	31,750 lb
Number of teeth	6	
Boom length	5950 mm	19'6"
Arm length	4450 mm	14'7"
Bucket usage	○	

These charts are based on over-side stability with fully loaded bucket at maximum reach.

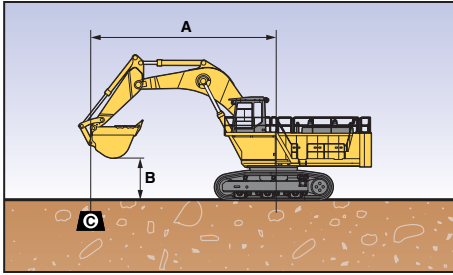
○: General purpose use, density up to 1.8 t/m³ 3,000 lb/yd³



Photos shown include optional equipment (mufflers and air cleaner mounted outside engine room, radiator handrail, power assist ladder, etc.)



PC1800-6 LIFTING CAPACITY



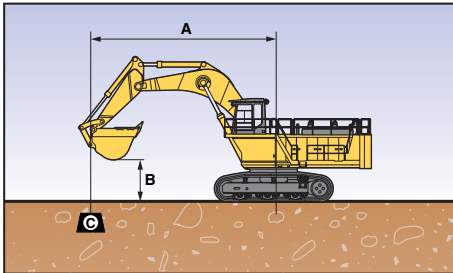
- PC1800-6**
 Equipment:
 • Boom: 8.7 m 28'7"
 • Arm: 3.9 m 12'10"
 • Bucket: 12.0 m³ 15.7 yd³
 with Heavy Lift On

- A: Reach from swing center
 B: Bucket hook height
 C: Lifting capacity
 Cf: Rating over front
 Cs: Rating over side
 ☉: Rating at maximum reach

Unit: kg lb

B \ A	☉ Maximum		10.7 m 35'		9.1 m 30'		7.6 m 25'		6.1 m 20'		4.6 m 15'		3.0 m 10'	
	Cf	Cs	Cf	Cs	Cf	Cs	Cf	Cs	Cf	Cs	Cf	Cs	Cf	Cs
7.6 m 25'	*20650 *45,500	*20650 *45,500	*28350 *62,500	*28350 *62,500										
6.1 m 20'	*21750 *47,900	*21750 *47,900	*30200 *66,600	*30200 *66,600	*35150 *77,500	*35150 *77,500								
4.6 m 15'	*23400 *51,600	20450 45,100	*32200 *71,000	32150 70,800	*38400 *84,700	*38400 *84,700	*47900 *105,654	*47900 *105,654	*64300 *141,828	*64300 *141,828				
3.0 m 10'	*25750 *56,800	19800 43,600	*34000 *74,900	30600 67,400	*41200 *90,800	40450 89,200	*49150 *108,412	*49150 *108,412	*70700 *155,945	*70700 *155,945				
1.5 m 5'	*26650 *58,800	19750 43,600	*35150 *77,500	29250 64,500	*43050 *94,900	38400 84,700	*54750 *120,763	52250 115,249	*72950 *160,908	*72950 *160,908				
0 m 0'	*27300 *60,100	20500 45,200	*35450 *78,200	28250 62,300	*43650 *96,300	36950 81,500	*55250 *115,249	50350 111,058	*72400 *159,695	*72400 *159,695	*39250 *86,500	*39250 *86,500		
-1.5 m -5'	*27850 *61,400	22150 48,800	*34450 *75,900	27700 61,000	*42750 *94,200	36200 79,800	*53750 *118,558	49450 109,073	*69100 *152,416	*69100 *152,416	*55100 *121,536	*55100 *121,536	*39150 *86,300	*39150 *86,300
-3.0 m -10'	*28250 *62,300	25200 55,500	*31450 *69,400	27650 61,000	*39850 *87,900	36050 79,400	*50050 *110,397	49400 108,963	*63350 *139,733	*63350 *139,733	*74100 *163,445	*74100 *163,445	*55300 *121,977	*55300 *121,977
-4.6 m -15'	*28100 *62,000	*28100 *62,000			*34100 *75,200	*34100 *75,200	*43500 *95,900	*43500 *95,900	*54600 *120,432	*54600 *120,432	*68450 *150,982	*68450 *150,982	*73900 *163,003	*73900 *163,003
-6.1 m -20'	*26350 *58,100	*26350 *58,100					*32350 *71,300	*32350 *71,300	*41250 *90,900	*41250 *90,900	*50350 *111,058	*50350 *111,058		

*Load is limited by hydraulic capacity rather than tipping. Ratings are based on Standard No. J1097. Rated loads do not exceed 87% of hydraulic capacity or 75% of tipping load.



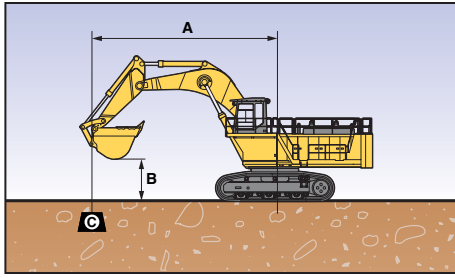
- PC1800-6**
 Equipment:
 • Boom: 8.7 m 28'7"
 • Arm: 3.9 m 12'10"
 • Bucket: 12.0 m³ 15.7 yd³
 with Heavy Lift Off

- A: Reach from swing center
 B: Bucket hook height
 C: Lifting capacity
 Cf: Rating over front
 Cs: Rating over side
 ☉: Rating at maximum reach

Unit: kg lb

B \ A	☉ Maximum		10.7 m 35'		9.1 m 30'		7.6 m 25'		6.1 m 20'		4.6 m 15'		3.0 m 10'	
	Cf	Cs	Cf	Cs	Cf	Cs	Cf	Cs	Cf	Cs	Cf	Cs	Cf	Cs
7.6 m 25'	*18650 *41,200	*18650 *41,200	*25300 *55,700	*25300 *55,700										
6.1 m 20'	*19700 *43,400	*19700 *43,400	*26950 *59,400	*26950 *59,400	*31550 *69,600	*31550 *69,600								
4.6 m 15'	*21250 *46,800	20500 45,200	*28750 *63,400	*28750 *63,400	*34450 *76,000	*34450 *76,000	*43200 *95,200	*43200 *95,200	*58150 *129,200	*58150 *129,200				
3.0 m 10'	*23050 *50,800	19800 43,700	*30350 *66,900	*30350 *66,900	*36950 *81,500	*36950 *81,500	*44100 *97,300	*44100 *97,300	*63950 *142,100	*63950 *142,100				
1.5 m 5'	*23550 *51,900	19750 43,600	*31400 *69,200	29300 64,600	*38650 *85,200	38500 84,900	*49300 *109,600	*49300 *109,600	*66200 *147,100	*66200 *147,100				
0 m 0'	*24050 *53,100	20450 45,100	*31650 *69,800	28300 62,400	*39150 *86,400	37050 81,600	*49800 *110,700	*49800 *110,700	*65500 *145,600	*65500 *145,600	*35500 *78,300	*35500 *78,300		
-1.5 m -5'	*24550 *54,200	22050 48,600	*30700 *67,700	27700 61,100	*38300 *84,500	36200 79,800	*48450 *110,700	*48450 *110,700	*62500 *138,900	*62500 *138,900	*50250 *111,700	*50250 *111,700	*35400 *78,100	*35400 *78,100
-3.0 m -10'	*24900 *54,900	*24900 *54,900	*28050 *61,800	27650 60,900	*35700 *78,700	*35700 *78,700	*45050 *99,300	*45050 *99,300	*57250 *127,200	*57250 *127,200	*67850 *150,800	*67850 *150,800	*50450 *112,100	*50450 *112,100
-4.6 m -15'	*24700 *54,500	*24700 *54,500			*30500 *67,200	*30500 *67,200	*39050 *86,100	*39050 *86,100	*49200 *109,300	*49200 *109,300	*61800 *137,300	*61800 *137,300	*67750 *150,600	*67750 *150,600
-6.1 m -20'	*23050 *50,800	*23050 *50,800					*29000 *63,900	*29000 *63,900	*37050 *81,700	*37050 *81,700	*45300 *99,900	*45300 *99,900		

*Load is limited by hydraulic capacity rather than tipping. Ratings are based on Standard No. J1097. Rated loads do not exceed 87% of hydraulic capacity or 75% of tipping load.



PC1800-6

Equipment:

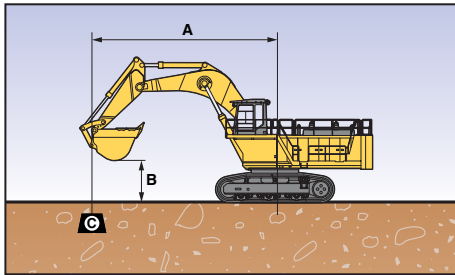
- Boom: 9.1 m 29'10"
- Arm: 4.1 m 13'5"
- Bucket: 10.0 m³ 13.1 yd³ with Heavy Lift On

- A: Reach from swing center
- B: Bucket hook height
- C: Lifting capacity
- Cf: Rating over front
- Cs: Rating over side
- ☉: Rating at maximum reach

Unit: kg lb

B \ A	☉ Maximum		12.2 m 40'		10.7 m 35'		9.1 m 30'		7.6 m 25'		6.1 m 20'		4.6 m 15'	
	Cf	Cs	Cf	Cs	Cf	Cs	Cf	Cs	Cf	Cs	Cf	Cs	Cf	Cs
9.1 m 30'	*18150 *40,000	*18150 *40,000	*22400 *49,400	*22400 *49,400										
7.6 m 25'	*18650 *41,100	*18650 *41,100	*23200 *51,100	*23200 *51,100	*25600 *56,500	*25600 *56,500								
6.1 m 20'	*19500 *43,000	*19500 *43,000	*24300 *53,600	*24300 *53,600	*27550 *60,700	*27550 *60,700	*32150 *70,800	*32150 *70,800						
4.6 m 15'	*20850 *46,000	19850 43,800	*25550 *56,300	*25550 *56,300	*29550 *65,100	*29550 *65,100	*35300 *77,800	*35300 *77,800	*44150 *97,400	*44150 *97,400				
3.0 m 10'	*22750 *50,100	19250 42,500	*26650 *58,800	24950 55,000	*31350 *69,100	*31350 *69,100	*38000 *83,800	*38000 *83,800	*48250 *106,400	*48250 *106,400				
1.5 m 5'	*23400 *51,600	19250 42,400	*27400 *60,500	24050 53,000	*32650 *72,000	30550 67,400	*39900 *88,000	39650 87,400	*50750 *111,900	*50750 *111,900	*53150 *117,200	*53150 *117,200		
0 m 0'	*24000 *52,900	19850 43,700	*27550 *60,800	23350 51,500	*33200 *73,200	29550 65,200	*38900 *85,700	36150 79,700	*51500 *113,560	*51500 *113,560	*59500 *131,200	*59500 *131,200		
-0.9 m -3'	*24350 *53,700	20550 45,300	*27250 *60,000	23100 50,900	*33100 *73,000	29150 64,200	*38600 *85,100	35400 78,000	*51150 *112,780	50950 112,340	*66150 *145,860	*66150 *145,860	*37850 *83,400	*37850 *83,400
-1.5 m -5'	*24550 *54,200	21200 46,700	*26750 *59,900	23000 50,700	*32750 *72,300	28950 63,800	*38200 *84,300	35100 77,400	*50550 *111,460	*50550 *111,460	*64900 *143,100	*64900 *143,100	*43500 *95,900	*43500 *95,900
-3.0 m -10'	*25050 *55,200	23650 52,100			*30950 *68,200	28800 63,500	*36650 *80,800	35250 77,800	*47800 *105,400	*47800 *105,400	*60450 *133,300	*60450 *133,300	*59350 *130,860	*59350 *130,860
-4.6 m -15'	*25250 *55,600	*25250 *55,600			*26750 *59,000	*26750 *59,000	*34350 *75,800	*34350 *75,800	*42950 *94,700	*42950 *94,700	*53650 *118,300	*53650 *118,300	*67650 *149,170	*67650 *149,170
-6.1 m -20'	*24500 *54,100	*24500 *54,100					*26850 *59,200	*26850 *59,200	*31950 *70,400	*31950 *70,400	*43600 *96,100	*43600 *96,100	*53700 *118,410	*53700 *118,410
-7.6 m -25'	*20950 *46,200	*20950 *46,200									*27850 *61,400	*27850 *61,400		

*Load is limited by hydraulic capacity rather than tipping. Ratings are based on Standard No. J1097. Rated loads do not exceed 87% of hydraulic capacity or 75% of tipping load.



PC1800-6

Equipment:

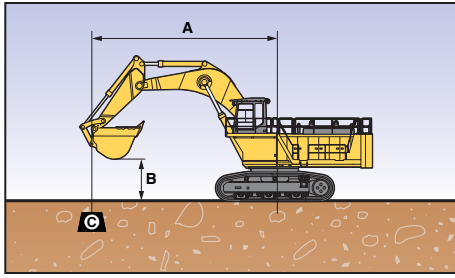
- Boom: 9.1 m 29'10"
- Arm: 4.1 m 13'5"
- Bucket: 10.0 m³ 13.1 yd³ with Heavy Lift Off

- A: Reach from swing center
- B: Bucket hook height
- C: Lifting capacity
- Cf: Rating over front
- Cs: Rating over side
- ☉: Rating at maximum reach

Unit: kg lb

B \ A	☉ Maximum		12.2 m 40'		10.7 m 35'		9.1 m 30'		7.6 m 25'		6.1 m 20'		4.6 m 15'	
	Cf	Cs	Cf	Cs	Cf	Cs	Cf	Cs	Cf	Cs	Cf	Cs	Cf	Cs
9.1 m 30'	*20000 *44,100	*20000 *44,100	*25100 *55,300	*25100 *55,300										
7.6 m 25'	*20500 *45,200	*20500 *45,200	*25950 *57,200	*25950 *57,200	*28500 *62,800	*28500 *62,800								
6.1 m 20'	*21450 *47,300	21050 46,400	*27200 *60,000	26900 59,300	*30650 *67,500	*30650 *67,500	*35550 *78,400	*35550 *78,400						
4.6 m 15'	*22850 *50,400	19850 43,800	*28600 *63,000	25900 57,200	*32850 *72,500	*32850 *72,500	*39050 *86,100	*39050 *86,100	*48650 *107,270	*48650 *107,270				
3.0 m 10'	*24850 *54,800	19250 42,500	*29850 *65,800	24950 55,000	*34900 *76,900	31900 70,700	*42100 *92,800	41650 91,800	*53250 *117,420	*53250 *117,420				
1.5 m 5'	26150 57,600	19250 42,400	*30700 *67,700	24050 53,000	*36350 *80,200	30550 67,400	*44250 *97,600	39650 87,400	*56100 *123,700	53350 117,640	*57400 *126,570	*57400 *126,570		
0 m 0'	27000 59,500	19850 43,700	*30900 *68,200	23350 51,500	*37050 *81,600	29550 65,200	*43350 *95,600	36150 79,700	*56950 *125,570	51550 113,670	*64150 *141,450	*64150 *141,450		
-0.9 m -3'	*27400 *60,500	20550 45,300	*30550 *67,400	23100 50,900	*36950 *81,400	29150 64,200	*43100 *95,000	35400 78,000	*55600 *124,800	50950 112,340	*71750 *158,200	*71750 *158,200	*41050 *90,500	*41050 *90,500
-1.5 m -5'	*27700 *61,000	21200 46,700	*30050 *66,300	23000 50,700	*36600 *80,700	28950 63,800	*42750 *94,200	35100 77,400	*56000 *123,480	50700 111,800	*71750 *158,200	*71750 *158,200	*47100 *103,850	*47100 *103,850
-3.0 m -10'	*28250 *52,300	23650 52,100			*34650 *76,400	28800 63,500	*41000 *90,400	35250 77,800	*53100 *117,080	50600 111,570	*66950 *147,620	*66950 *147,620	*64000 *141,120	*64000 *141,120
-4.6 m -15'	*28500 *52,900	27950 51,600			*30200 *66,600	29200 64,300	*38450 *84,800	37550 82,800	*47900 *105,620	*47900 *105,620	*59700 *147,070	*59700 *147,070	*75200 *165,820	*75200 *165,820
-6.1 m -20'	*27850 *61,400	*27850 *61,400					*30400 *67,000	*30400 *67,000	*36250 *79,900	*36250 *79,900	*48800 *107,600	*48800 *107,600	*60150 *132,630	*60150 *132,630
-7.6 m -25'	*24200 *53,400	*24200 *53,400									*31850 *70,200	*31850 *70,200		

*Load is limited by hydraulic capacity rather than tipping. Ratings are based on Standard No. J1097. Rated loads do not exceed 87% of hydraulic capacity or 75% of tipping load.



PC1800-6

Equipment:

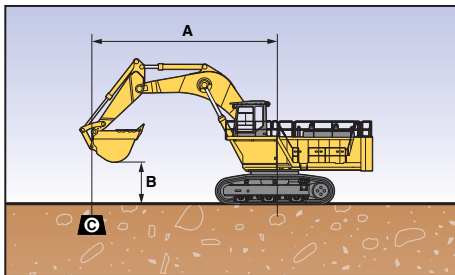
- Boom: 11.4 m 37'5"
- Arm: 5.0 m 16'5"
- Bucket: 5.6 m³ 7.3 yd³ with Heavy Lift On

- A: Reach from swing center
- B: Bucket hook height
- C: Lifting capacity
- Cf: Rating over front
- Cs: Rating over side
- ⊗: Rating at maximum reach

Unit: kg lb

B \ A	⊗ Maximum		15.2 m 50'		12.2 m 40'		9.1 m 30'		6.1 m 20'		3.0 m 10'	
	Cf	Cs	Cf	Cs	Cf	Cs	Cf	Cs	Cf	Cs	Cf	Cs
12.2 m 40'	*15200 *33,500	*15200 *33,500										
9.1 m 30'	*15100 *33,300	14650 32,300	*15450 *34,000	*15450 *34,000								
6.1 m 20'	*15500 *34,100	12250 27,000	*16850 *37,100	16450 36,300	*21100 *46,500	*21100 *46,500	*29750 *65,600	*29750 *65,600				
3.0 m 10'	16150 35,600	11150 24,600	*18500 *40,800	15000 33,100	*24450 *53,900	23400 51,600	*36350 *80,100	*36350 *80,100				
0 m 0'	16300 35,900	11150 24,600	19700 43,400	13800 30,400	*26800 *59,100	21150 46,600	*39900 *88,000	33850 74,700				
-3.0 m -10'	18050 39,800	12450 27,500	19150 42,200	13300 29,300	*27450 *60,500	20000 44,100	*40100 *88,400	32600 71,900	*36750 *81,100	*36750 *81,100		
-6.1 m -20'	*19400 *42,800	16000 35,200			*25150 *55,500	20200 44,500	*36750 *81,100	33100 72,900	*55450 *122,670	*55450 *122,670	*41700 *91,900	*41700 *91,900
-9.1 m -30'	*19500 *43,000	*19500 *43,000					*27550 *60,700	*27550 *60,700	*41050 *90,500	*41050 *90,500		

*Load is limited by hydraulic capacity rather than tipping. Ratings are based on Standard No. J1097. Rated loads do not exceed 87% of hydraulic capacity or 75% of tipping load.



PC1800-6

Equipment:

- Boom: 11.4 m 37'5"
- Arm: 5.0 m 16'5"
- Bucket: 5.6 m³ 7.3 yd³ with Heavy Lift Off

- A: Reach from swing center
- B: Bucket hook height
- C: Lifting capacity
- Cf: Rating over front
- Cs: Rating over side
- ⊗: Rating at maximum reach

Unit: kg lb

B \ A	⊗ Maximum		15.2 m 50'		12.2 m 40'		9.1 m 30'		6.1 m 20'		3.0 m 10'	
	Cf	Cs	Cf	Cs	Cf	Cs	Cf	Cs	Cf	Cs	Cf	Cs
12.2 m 40'	*13150 *29,000	*13150 *29,000										
9.1 m 30'	*13000 *28,600	*13000 *28,600	*13350 *29,400	*13350 *29,400								
6.1 m 20'	*13300 *29,300	12250 27,000	*14600 *32,100	*14600 *32,100	*18550 *40,900	*18550 *40,900	*26550 *58,500	*26550 *58,500				
3.0 m 10'	*13900 *30,600	11150 24,600	*16050 *35,400	15000 33,100	*21500 *47,400	*21500 *47,400	*32350 *71,300	*32350 *71,300				
0 m 0'	*14750 *32,500	11150 24,600	*17100 *37,700	13800 30,400	*23600 *52,000	21150 46,600	*35500 *78,200	33850 74,700				
-3.0 m -10'	*15750 *34,800	12450 27,500	*16900 *37,300	13300 29,300	*24100 *53,100	20000 44,100	*35600 *78,500	32600 71,900	*33850 *74,700	*33850 *74,700		
-6.1 m -20'	*16750 *36,900	16000 35,200			*22000 *48,500	20200 44,500	*32500 *71,600	*32500 *71,600	*49350 *108,800	*49350 *108,800	*38500 *84,800	*38500 *84,800
-9.1 m -30'	*16700 *36,800	*16700 *36,800					*23950 *52,800	*23950 *52,800	*36000 *79,400	*36000 *79,400		

*Load is limited by hydraulic capacity rather than tipping. Ratings are based on Standard No. J1097. Rated loads do not exceed 87% of hydraulic capacity or 75% of tipping load.



STANDARD EQUIPMENT

ENGINE AND RELATED ITEMS:

- Air cleaner, double element dry, outside mount x 2
- Cooling fan, with fan guard x 2
- Engines, 2 x Komatsu SAA6D140E-3
- EPA arrangement (Tier II compliant)
- Mufflers, outside mount x 2

ELECTRICAL SYSTEM:

- Alternators, two, 100 amp, 24 V
- Batteries, four, 200 Ah, 12 V
- 80A fuses and 6 spare terminals
- Starting motors, two, 7.5 kW
- Working lights—1 boom, 3 cab front, 1 cab rear, 4 revolving frame
- Auto decelerator

UNDERCARRIAGE:

- 810 mm **32"** double grouser track shoes
- 8 track/3 carrier rollers (each side)
- Hydraulic idler cushion (HIC) with shock absorbing accumulators
- Bolt-on sprocket segments
- Track chains, sealed
- Track guiding guard (each side)

GUARDS AND COVERS:

- Dustproof net for radiator and oil cooler
- Pump/engine room partition walls
- Revolving frame undercover
- Travel motor guards

OPERATOR ENVIRONMENT:

- Viscous mount, all-weather, sound-suppressed cab with tinted safety glass windows, lockable door, intermittent window wiper and washer, floor mat, cigarette lighter, ashtray, window lattice (right), and antenna
- Inclined dashboard
- Instrument panel (angle adjustable) with electronic display/monitor system, electrically-controlled throttle dials, electric service meter, gauges (coolant temperature and fuel level), caution lights (electric charge, engine oil pressure, and air cleaner restriction), indicator lights (engine preheating and swing lock on), level check lights (coolant, engine oil, and hydraulic oil level), self-diagnostic system with trouble data memory, Vehicle Health Monitoring System (VHMS)
- Air conditioners, dual, 2 x 6880 kcal/h **2 x 27,300 btu/h**
- Rearview mirror, LH
- Seat, fully adjustable with suspension, with seat belt

- Auxiliary operator seat
- FOPS guard
- Heater/defrosters, dual, 2 x 6500 kcal/h **2 x 25,800 btu/h**
- Equipment control pods, independently adjustable

HYDRAULIC CONTROLS:

- Fully hydraulic, with Electronic Open Center Load Sensing (EOLSS) and engine speed sensing (pump and engine mutual control system), 3 selectable working modes with heavy lift mode
- Six variable capacity piston pumps: 4 equipment/travel, 2 swing
- Two gear pumps for control circuit
- Two axial piston motors for swing with single-stage relief valve
- Two axial piston motors per track for travel with counterbalance valve
- Three control valves, 5+4+2 spools (boom, arm, bucket, swing, and travel). Independent swing circuit.
- Control levers, joystick control levers for arm, boom, bucket, and swing with PPC system
- Control levers and pedals for steering and travel with PPC system
- Oil coolers, dual
- High-pressure in-line filters, return filters, PPC filter
- Quick-coupler test ports
- Shockless boom control
- Two-mode setting for boom

DRIVE AND BRAKE SYSTEM:

- Travel brakes, hydraulic lock travel, oil disc parking
- Hydrostatic travel system (one-speed) with two-stage planetary and one-stage spur gear reduction final drive

OTHER STANDARD EQUIPMENT:

- Automatic swing holding brake
- Corrosion resister
- Counterweight, 21300 kg **47,000 lb**
- Semi-automatic grease system 18 ltr **4.8 U.S. gal** with manual grease gun for greasing points of bucket
- Horn, air, with interconnected signal light
- Lift capacity chart
- Marks and plates, English
- Paint, Komatsu standard
- Seat belt
- Swing lock brake, oil bath multiple-disc
- Travel alarm
- Wide catwalks and large handrails
- Vandalism protection locks



OPTIONAL EQUIPMENT

BACKHOE ATTACHMENT:

- Arms:
 - 3900 mm **12'10"** arm assembly
 - 4100 mm **13'5"** arm assembly
 - 5000 mm **16'5"** arm assembly
 - 6500 mm **21'4"** arm assembly
- Booms:
 - 8700 mm **28'7"** boom assembly
 - 9100 mm **29'10"** boom assembly
 - 11400 mm **37'5"** boom assembly
- Bucket:
 - 12.0 m³ **15.7 yd³** bucket, extreme service

SHOVEL ATTACHMENT:

- 4450 mm **14'7"** arm assembly
- 5950 mm **19'6"** boom assembly
- 11.0 m³ **14.4 yd³** shovel bucket

- Center frame undercover
- Fully-automatic grease system, Lincoln, 27.2 kg **60.0 lb** barrel, adjustable timer, adjustable injectors
- Handrail above radiators
- Light, amber beacon
- Marks and plates, Spanish/English
- Power assist ladder
- Provision for fast fuel fill
- Rearview mirror, RH
- Sun shade for cab windows
- PM tune-up service connector/software
- Shoes:
 - 1010 mm **40"** triple grouser
- Spare parts for first service
- Tool kit



TRANSPORTATION GUIDE

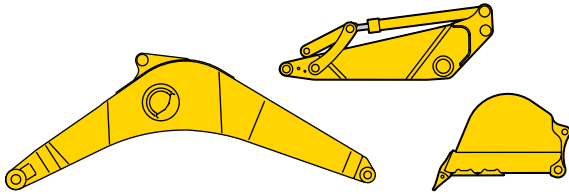
Transportation volume (length x height x width)

Specs shown include the following equipment:

Backhoe: boom 8700 mm **28'7"**, arm 3900 mm **12'10"**, bucket 12.0 m³ **15.7 yd³**, shoes 810 mm **32"** double grouser

Loading Shovel: boom 5950 mm **19'6"**, arm 4450 mm **14'7"**, bucket 11.0 m³ **14.4 yd³**, shoes 810 mm **32"** double grouser

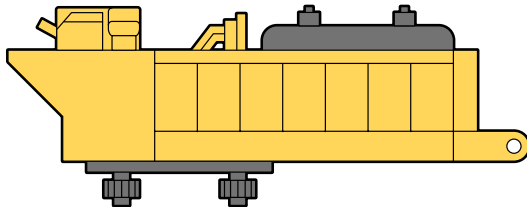
Work equipment assembly—Backhoe



	Weight t U.S. ton	Length mm ft in	Width mm ft in	Height mm ft in
Boom	17.5 19.3	9150 30'0"	2050 6'9"	3335 10'11"
Arm	11.3 12.5	5450 17'11"	1460 4'9"	1865 6'1"
Bucket	10.6 11.7	3510 11'6"	2930 9'7"	2180 7'2"

	Weight t U.S. ton	Quantity	Length mm ft in
Boom cylinder	1.90 2.09	2	4200 13'9"
Arm cylinder	1.25 1.38	2	3500 11'6"

Upper structure—42.0 t 46.3 U.S. ton



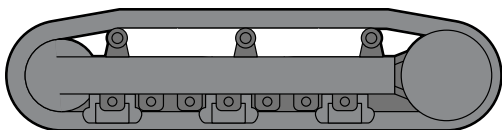
Weight t U.S. ton	Length mm ft in	Width mm ft in	Height mm ft in
42.0 46.3	8735 28'8"	3500 11'6"	3440 11'3"

Cab



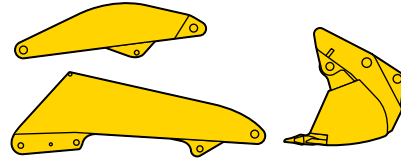
Weight t U.S. ton	Length mm ft in	Width mm ft in	Height mm ft in
0.85 0.94	2100 6'11"	1600 5'3"	2080 6'10"

Undercarriage—2 x 25.5 t 28.1 U.S. ton



Under-carriage	Weight t U.S. ton	Length mm ft in	Width mm ft in	Height mm ft in
LH	25.5 28.1	7440 24'5"	1930 6'4"	1890 6'2"
RH	25.5 28.1	7440 24'5"	1930 6'4"	1890 6'2"

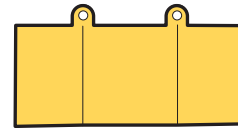
Work equipment assembly—Loading Shovel



	Weight t U.S. ton	Length mm ft in	Width mm ft in	Height mm ft in
Boom	11.8 13.0	6400 21'0"	1740 5'9"	2000 6'7"
Arm	9.5 10.5	4900 16'1"	1450 4'9"	1700 5'7"
Bucket	14.4 15.9	3350 11'0"	3220 10'7"	3250 10'8"

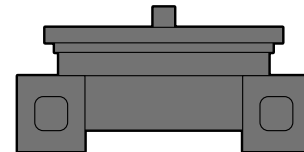
	Weight t U.S. ton	Quantity	Length mm ft in
Boom cylinder	2.33 2.6	2	4180 13'9"
Arm cylinder	1.07 1.2	2	3570 11'9"
Bucket cylinder	1.5 1.7	2	3350 11'0"

Counterweight—21.3 t 23.5 U.S. ton



Weight t U.S. ton	Length mm ft in	Width mm ft in	Height mm ft in
21.3 23.5	4910 16'1"	710 2'4"	2265 7'5"

Center frame—18.0 t 19.8 U.S. ton



Weight t U.S. ton	Length mm ft in	Width mm ft in	Height mm ft in
18.0 19.8	3330 10'11"	3770 12'4"	2100 6'11"

Others

Catwalk, step, handrail, small removed parts, etc.

The image shows the Komatsu logo, which consists of the word "KOMATSU" in a bold, blue, sans-serif font. A registered trademark symbol (®) is located to the upper right of the letter "U". The logo is positioned in the top-left corner of a large, empty rectangular box that occupies the lower half of the page.